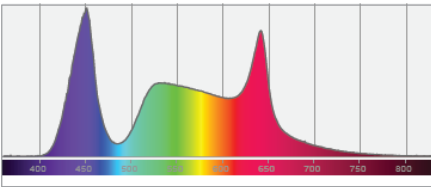
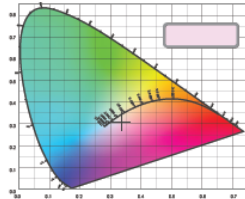


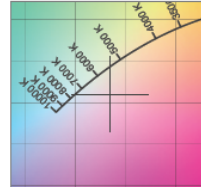
**Spectral distribution**



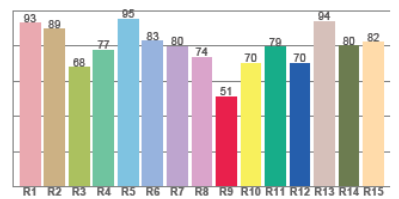
**Color coordinates**



**Zoom color point**



**CRI R values**



# Photometric Test Report

\*Due to additional product enhancements, an updated version of this report may be available online. Please check [www.adj.com](http://www.adj.com) for the latest revision/update of this report.



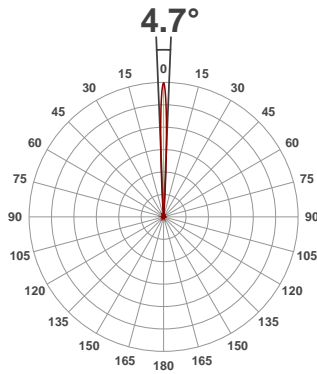
Light efficiency:



Light quality:



Color temperature:



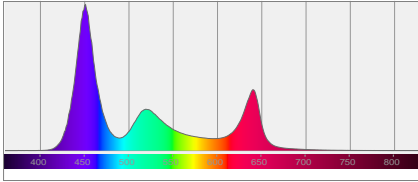
Product name:  
**Saber Spot RGBW**

Test:  
**Full On**

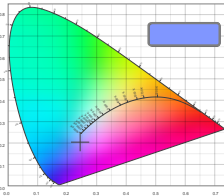
Date:  
**12/26/2017**

Output: 413 lm Power consumption: 16.8 W Peak: 46672 cd

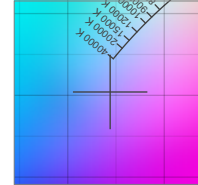
Spectral distribution Dominant Wavelength: 458nm



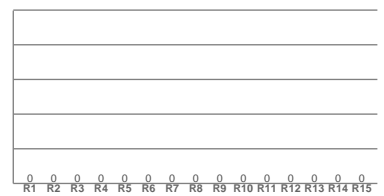
Color coordinates



Zoom color point

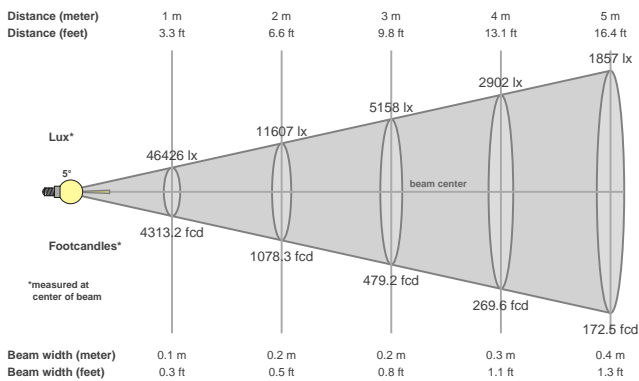


CRI R values



Color temperature	Color rendering index	Red component	Color fidelity	Color gamut	Color quality scale	Color coordinate cie 1931	Color coordinate cie 1931	Color coordinate	Color coordinate	Color divition from black body
CCT	CRI	CRI R9	TM30 Rf	TM30 Rg	CQS	x	y	u	v	Δuv
0 K	0.0	0.0	0.0	0.0	0.0	0.244	0.204	0.197	0.247	n/a

### Beam details



### Beam angles

Beam angle 50%	Field angle 10%	Cutoff angle 2,5%
4.7°	8°	10.5°

### Beam intensities

Peak intensity	Int. ratio in 120° cone	Int. ratio in 90° cone
46672 cd	94.7%	93.6%

### Power

Power	Power factor	Power frequency
16.8 W	0.62	60 Hz

Nominal voltage	Voltage	Current
230 V	115 V	0.237 A

### Beam intensities from 1-20m

1m	2m	3m	4m	5m	6m	7m	8m	9m	10m	11m	12m	13m	14m	15m	16m	17m	18m	19m	20m
3.3ft	6.6ft	9.8ft	13.1ft	16.4ft	19.7ft	23ft	26.2ft	29.5ft	32.8ft	36.1ft	39.4ft	42.7ft	45.9ft	49.2ft	52.5ft	55.8ft	59.1ft	62.3ft	65.6ft
46426lx	11607lx	5158lx	2902lx	1857lx	1290lx	947lx	725lx	573lx	464lx	384lx	322lx	275lx	237lx	206lx	181lx	161lx	143lx	129lx	116lx
4313.2fcd	1078.3fcd	479.2fcd	269.6fcd	172.5fcd	119.8fcd	88fcd	67.4fcd	53.2fcd	43.1fcd	35.6fcd	30fcd	25.5fcd	22fcd	19.2fcd	16.8fcd	14.9fcd	13.3fcd	11.9fcd	10.8fcd



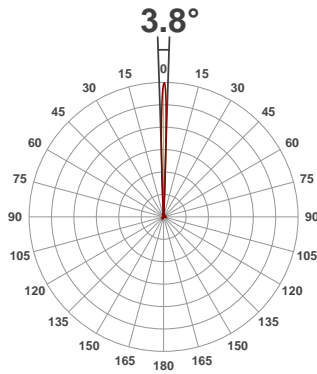
Light efficiency:



Light quality:



Color temperature:



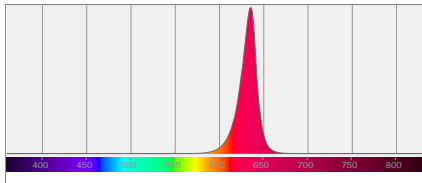
Product name:  
**Saber Spot RGBW**

Test:  
**Red**

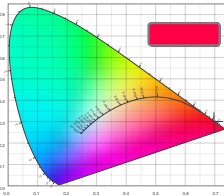
Date:  
**12/26/2017**

Output: 123 lm Power consumption: 4.6 W Peak: 11842 cd

Spectral distribution



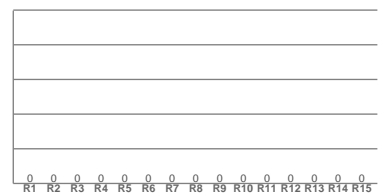
Color coordinates



Zoom color point

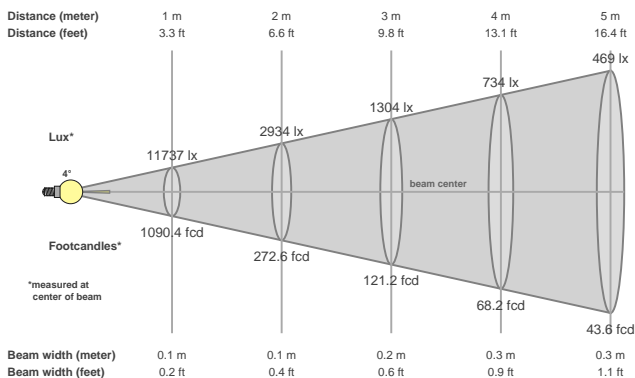


CRI R values



Color temperature	Color rendering index	Red component	Color fidelity	Color gamut	Color quality scale	Color coordinate cie 1931	Color coordinate cie 1931	Color coordinate	Color coordinate	Color divition from black body
CCT	CRI	CRI R9	TM30 Rf	TM30 Rg	CQS	x	y	u	v	Δuv
0 K	0.0	0.0	0.0	0.0	0.0	0.697	0.301	0.535	0.346	n/a

**Beam details**



**Beam angles**

Beam angle 50%	Field angle 10%	Cutoff angle 2,5%
3.8°	6.4°	8.5°

**Beam intensities**

Peak intensity	Int. ratio in 120° cone	Int. ratio in 90° cone
11842 cd	65.5%	59.9%

**Power**

Power	Power factor	Power frequency
4.6 W	0.52	60 Hz

Nominal voltage	Voltage	Current
230 V	115 V	0.076 A

**Beam intensities from 1-20m**

1m	2m	3m	4m	5m	6m	7m	8m	9m	10m	11m	12m	13m	14m	15m	16m	17m	18m	19m	20m
3.3ft	6.6ft	9.8ft	13.1ft	16.4ft	19.7ft	23ft	26.2ft	29.5ft	32.8ft	36.1ft	39.4ft	42.7ft	45.9ft	49.2ft	52.5ft	55.8ft	59.1ft	62.3ft	65.6ft
11737lx	2934lx	1304lx	734lx	469lx	326lx	240lx	183lx	145lx	117lx	97lx	82lx	69lx	60lx	52lx	46lx	41lx	36lx	33lx	29lx
1090.4fcd	272.6fcd	121.2fcd	68.2fcd	43.6fcd	30.3fcd	22.3fcd	17fcd	13.5fcd	10.9fcd	9fcd	7.6fcd	6.5fcd	5.6fcd	4.8fcd	4.3fcd	3.8fcd	3.4fcd	3fcd	2.7fcd



Light efficiency:

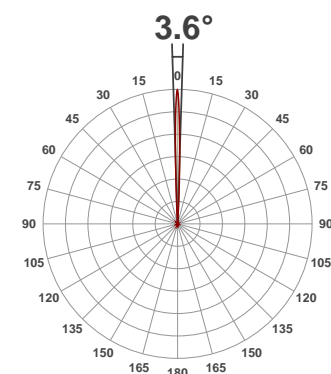
**34 Lumen/Watt**

Light quality:

**CRI: 0.0**

Color temperature:

**0 K**



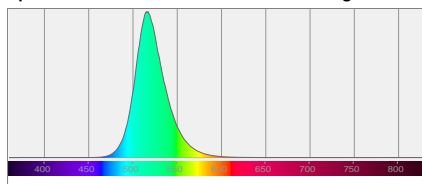
Product name:  
**Saber Spot RGBW**

Test:  
**Green**

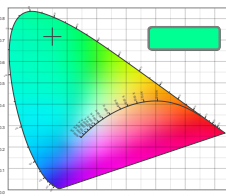
Date:  
**12/26/2017**

Output: 172 lm Power consumption: 5.1 W Peak: 27321 cd

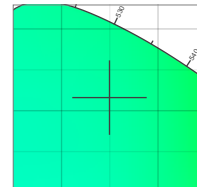
Spectral distribution Dominant Wavelength:523nm



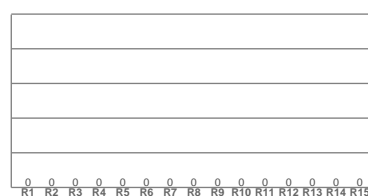
Color coordinates



Zoom color point

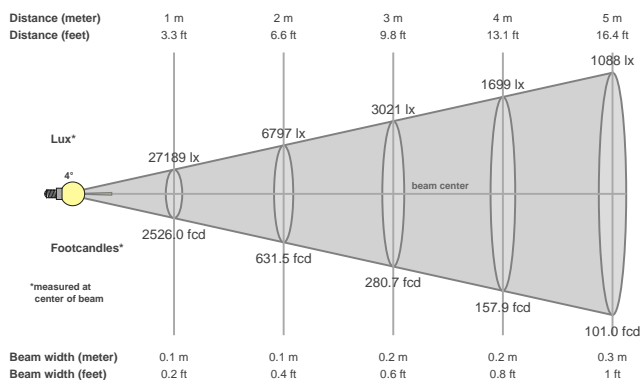


CRI R values



Color temperature	Color rendering index	Red component	Color fidelity	Color gamut	Color quality scale	Color coordinate cie 1931	Color coordinate cie 1931	Color coordinate	Color coordinate	Color divition from black body
CCT	CRI	CRI R9	TM30 Rf	TM30 Rg	CQS	x	y	u	v	Δuv
0 K	0.0	0.0	0.0	0.0	0.0	0.150	0.716	0.053	0.380	n/a

### Beam details



### Beam angles

Beam angle 50%	Field angle 10%	Cutoff angle 2,5%
3.6°	6.5°	8.5°

### Beam intensities

Peak intensity	Int. ratio in 120° cone	Int. ratio in 90° cone
27321 cd	88.4%	86.2%

### Power

Power	Power factor	Power frequency
5.1 W	0.53	60 Hz

Nominal voltage	Voltage	Current
230 V	115 V	0.083 A

### Beam intensities from 1-20m

1m	2m	3m	4m	5m	6m	7m	8m	9m	10m	11m	12m	13m	14m	15m	16m	17m	18m	19m	20m
3.3ft	6.6ft	9.8ft	13.1ft	16.4ft	19.7ft	23ft	26.2ft	29.5ft	32.8ft	36.1ft	39.4ft	42.7ft	45.9ft	49.2ft	52.5ft	55.8ft	59.1ft	62.3ft	65.6ft
27189lx	6797lx	3021lx	1699lx	1088lx	755lx	555lx	425lx	336lx	272lx	225lx	189lx	161lx	139lx	121lx	106lx	94lx	84lx	75lx	68lx
2526fcd	631.5fcd	280.7fcd	157.9fcd	101fcd	70.2fcd	51.6fcd	39.5fcd	31.2fcd	25.3fcd	20.9fcd	17.5fcd	14.9fcd	12.9fcd	11.2fcd	9.9fcd	8.7fcd	7.8fcd	7fcd	6.3fcd



Light efficiency:

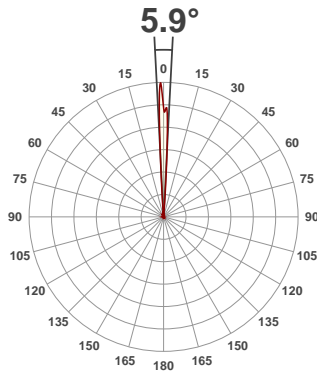
**21 Lumen/Watt**

Light quality:

**CRI: 0.0**

Color temperature:

**0 K**



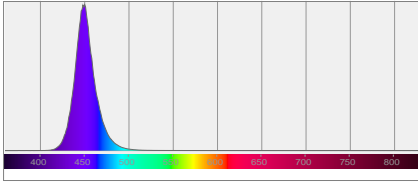
Product name:  
**Saber Spot RGBW**

Test:  
**Blue**

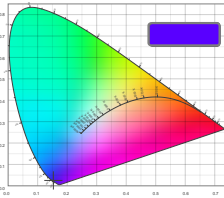
Date:  
**12/26/2017**

Output: 110 lm Power consumption: 5.3 W Peak: 2887 cd

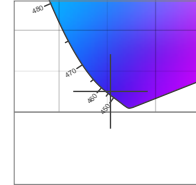
Spectral distribution Dominant Wavelength:454nm



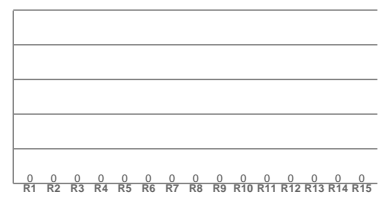
Color coordinates



Zoom color point

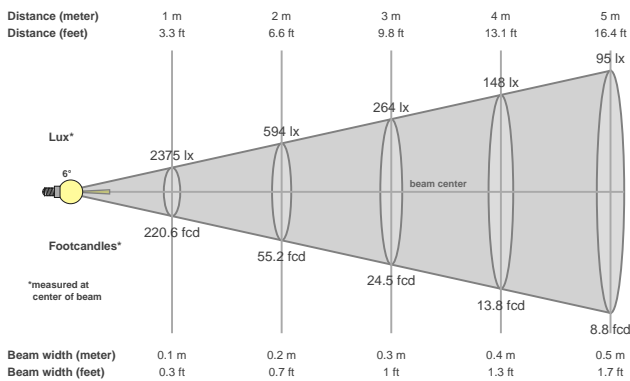


CRI R values



Color temperature	Color rendering index	Red component	Color fidelity	Color gamut	Color quality scale	Color coordinate cie 1931	Color coordinate cie 1931	Color coordinate	Color coordinate	Color divition from black body
CCT	CRI	CRI R9	TM30 Rf	TM30 Rg	CQS	x	y	u	v	Δuv
0 K	0.0	0.0	0.0	0.0	0.0	0.153	0.025	0.205	0.051	n/a

### Beam details



### Beam angles

Beam angle 50%	Field angle 10%	Cutoff angle 2,5%
5.9°	8.6°	10.9°

### Beam intensities

Peak intensity	Int. ratio in 120° cone	Int. ratio in 90° cone
2887 cd	45.5%	37.6%

### Power

Power	Power factor	Power frequency
5.3 W	0.53	60 Hz

Nominal voltage	Voltage	Current
230 V	115 V	0.087 A

### Beam intensities from 1-20m

1m	2m	3m	4m	5m	6m	7m	8m	9m	10m	11m	12m	13m	14m	15m	16m	17m	18m	19m	20m
3.3ft	6.6ft	9.8ft	13.1ft	16.4ft	19.7ft	23ft	26.2ft	29.5ft	32.8ft	36.1ft	39.4ft	42.7ft	45.9ft	49.2ft	52.5ft	55.8ft	59.1ft	62.3ft	65.6ft
2375lx	594lx	264lx	148lx	95lx	66lx	48lx	37lx	29lx	24lx	20lx	16lx	14lx	12lx	11lx	9lx	8lx	7lx	7lx	6lx
220.6fcd	55.2fcd	24.5fcd	13.8fcd	8.8fcd	6.1fcd	4.5fcd	3.4fcd	2.7fcd	2.2fcd	1.8fcd	1.5fcd	1.3fcd	1.1fcd	1fcd	0.9fcd	0.8fcd	0.7fcd	0.6fcd	0.6fcd



Light efficiency:

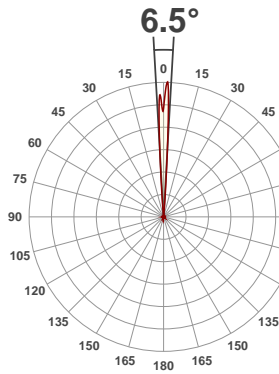
40 Lumen/Watt

Light quality:

CRI: 70.8

Color temperature:

6599 K



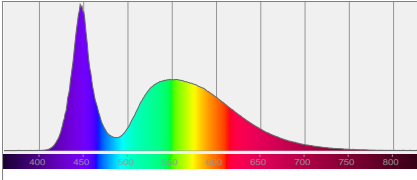
Product name:  
**Saber Spot RGBW**

Test:  
**White**

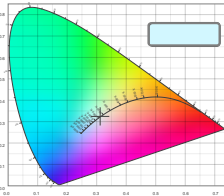
Date:  
**12/26/2017**

Output: 212 lm Power consumption: 5.3 W Peak: 14000 cd

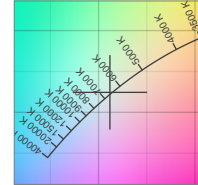
Spectral distribution Dominant Wavelength:360nm



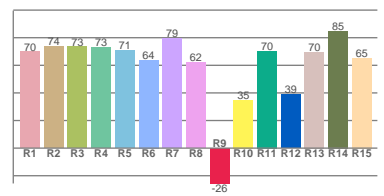
Color coordinates



Zoom color point

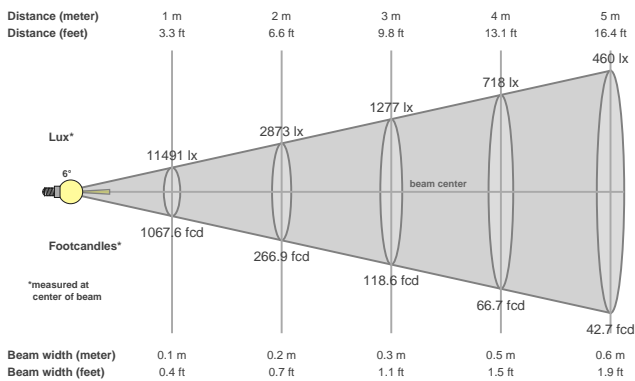


CRI R values



Color temperature	Color rendering index	Red component	Color fidelity	Color gamut	Color quality scale	Color coordinate cie 1931	Color coordinate cie 1931	Color coordinate	Color coordinate	Color divition from black body
CCT	CRI	CRI R9	TM30 Rf	TM30 Rg	CQS	x	y	u	v	Δuv
6599 K	70.8	-25.6	67.1	93.8	68.4	0.312	0.324	0.199	0.310	0.0019

### Beam details



### Beam angles

Beam angle 50%	Field angle 10%	Cutoff angle 2,5%
6.5°	9.3°	12.4°

### Beam intensities

Peak intensity	Int. ratio in 120° cone	Int. ratio in 90° cone
14000 cd	90.3%	88.8%

### Power

Power	Power factor	Power frequency
5.3 W	0.53	59.9 Hz

Nominal voltage	Voltage	Current
230 V	115 V	0.087 A

### Beam intensities from 1-20m

1m	2m	3m	4m	5m	6m	7m	8m	9m	10m	11m	12m	13m	14m	15m	16m	17m	18m	19m	20m
3.3ft	6.6ft	9.8ft	13.1ft	16.4ft	19.7ft	23ft	26.2ft	29.5ft	32.8ft	36.1ft	39.4ft	42.7ft	45.9ft	49.2ft	52.5ft	55.8ft	59.1ft	62.3ft	65.6ft
11491lx	2873lx	1277lx	718lx	460lx	319lx	235lx	180lx	142lx	115lx	95lx	80lx	68lx	59lx	51lx	45lx	40lx	35lx	32lx	29lx
1067.6fcd	266.9fcd	118.6fcd	66.7fcd	42.7fcd	29.7fcd	21.8fcd	16.7fcd	13.2fcd	10.7fcd	8.8fcd	7.4fcd	6.3fcd	5.4fcd	4.7fcd	4.2fcd	3.7fcd	3.3fcd	3fcd	2.7fcd