

POWER BONE T1ED

User Manual

©2025 ADJ Products, LLC all rights reserved. Information, specifications, diagrams, images, and instructions herein are subject to change without notice. Accu Cable logo and identifying product names and numbers herein are trademarks of ADJ Products, LLC. Copyright protection claimed includes all forms and matters of copyrightable materials and information now allowed by statutory or judicial law or hereinafter granted. Product names used in this document may be trademarks or registered trademarks of their respective companies and are hereby acknowledged. All non-ADJ Products, LLC brands and product names are trademarks or registered trademarks of their respective companies.

ADJ Products, LLC and all affiliated companies hereby disclaim any and all liabilities for property, equipment, building, and electrical damages, injuries to any persons, and direct or indirect economic loss associated with the use or reliance of any information contained within this document, and/or as a result of the improper, unsafe, insufficient and negligent assembly, installation, rigging, and operation of this product.

Europe Energy Saving Notice

Energy Saving Matters (EuP 2009/125/EC)

Saving electric energy is a key to help protecting the enviroment. Please turn off all electrical products when they are not in use. To avoid power consumption in idle mode, disconnect all electrical equipment from power when not in use. Thank you!

DOCUMENT VERSION

Due to additional product features and/or enhancements, an updated version of this document may be available online.

Please check www.adj.com for the latest revision/update of this manual before beginning installation and/or programming.

Date	Document Version	Software Version	DMX Channels	Notes
02/06/2023	1	N/A	Not Applicable	Initial Version
04/26/2024	1.1	N/A	Not Applicable	Updated Key Features, Overview, Safety Guidelines, Installation, Dimensional Drawings, Specifications; Added FCC Statement
05/07/2024	1.2	N/A	Not Applicable	Updated FCC Statement
09/11/2024	1.3	N/A	Not Applicable	Updated Dimensional Drawings, Specifications
04/03/2025	1.4	N/C	Not Applicable	Updated Dimension Drawings

TABLE OF CONTENTS

General Information	4
Key Features Warranty Returns	5
Limited Warranty (USA Only)	6
Safety Guidelines	7
Overview	9
Installation	10
Cleaning & Maintenance	13
Dimensional Drawings	14
Specifications FCC Statement	15

GENERAL INFORMATION

INTRODUCTION

Please read and understand the instructions in this manual carefully and thoroughly before attempting to operate this device. These instructions contain important safety and use information. **This product is intended for use by professionally trained personnel only, and is not suitable for private use.**

UNPACKING

Every device has been thoroughly tested and has been shipped in perfect operating condition. Carefully check the shipping carton for damage that may have occurred during shipping. If the carton is damaged, carefully inspect the device for damage, and be sure all accessories necessary to install and operate the device have arrived intact. In the event damage has been found or parts are missing, please contact our customer support team for further instructions. Please do not return this device to your dealer without first contacting customer support. Please do not discard the shipping carton in the trash. Please recycle whenever possible.

INCLUDED ITEMS

Omega Bracket (x1)

Power Cable (x1)

CUSTOMER SUPPORT

Contact ADJ Service for any product related service and support needs.

Also visit forums.adj.com with questions, comments or suggestions.

ADJ SERVICE USA - Monday - Friday 8:00am to 4:30pm PST

323-582-2650 | support@adj.com

ADJ SERVICE EUROPE - Monday - Friday 08:30 to 17:00 CET

+31 45 546 85 60 | support@adj.eu

REPLACEMENT PARTS please visit parts.adj.com

Warning: To reduce the risk of shock or fire, do not expose this device to rain or moisture!

Warning: There are no user serviceable parts inside this unit. Do not attempt to perform any repairs yourself, as doing so will void your manufacturer's warranty. Damage resulting from modifications to this device and/or the disregard of safety instructions and guidelines in this manual void the manufacturer's warranty and are not subject to warranty claims and/or repairs.

KEY FEATURES

- Daisy chain linking capability to get power where you need it
- Outdoor power locking input connection to supply main power
- Outdoor power locking thru connection to link to other Power Bones
- 4x outdoor power locking outputs to connect to targeted equipment
- Output DC5V 2.1A / Ch, 3.4A Max
- LED power indicator
- Omega bracket for clamp / truss mount

WARRANTY RETURNS

All returned service items, whether under warranty or not, must be freight pre-paid and accompanied by a return authorization (R.A.) number. The R.A. number must be clearly written on the outside of the return package. A brief description of the problem as well as the R.A. number must also be written down on a piece of paper included in the shipping carton. If the unit is under warranty, you must provide a copy of your proof of purchase invoice. You may obtain an R.A. number by contacting our customer support team. All packages returned to the service department not displaying an R.A. number on the outside of the package will be returned to the shipper.

LIMITED WARRANTY (USA ONLY)

- A. ADJ Products, LLC hereby warrants, to the original purchaser, ADJ Products, LLC products to be free of manufacturing defects in material and workmanship for a prescribed period from the date of purchase (see specific warranty period on reverse). This warranty shall be valid only if the product is purchased within the United States of America, including possessions and territories. It is the owner's responsibility to establish the date and place of purchase by acceptable evidence, at the time service is sought.
- B. For warranty service, you must obtain a Return Authorization number (RA#) before sending back the product-please contact ADJ Products, LLC Service Department at 800-322-6337. Send the product only to the ADJ Products, LLC factory. All shipping charges must be pre-paid. If the requested repairs or service (including parts replacement) are within the terms of this warranty, ADJ Products, LLC will pay return shipping charges only to a designated point within the United States. If the entire instrument is sent, it must be shipped in its original package. No accessories should be shipped with the product. If any accessories are shipped with the product, ADJ Products, LLC shall have no liability whatsoever for loss of or damage to any such accessories, or for the safe return thereof.
- C. This warranty is void if the serial number has been altered or removed; if the product is modified in any manner which ADJ Products, LLC concludes, after inspection, affects the reliability of the product, if the product has been repaired or service by anyone other than ADJ Products, LLC factory unless prior written authorization was issued to purchaser by ADJ Products, LLC; if the product is damaged because not properly maintained as set forth in the instruction manual.
- D. This is not a service contract, and this warranty does not include maintenance, cleaning or periodic check up. During the period specified above, ADJ Products, LLC will replace defective parts at its expense with new or refurbished parts, and will absorb all expenses for warranty service and repair labor by reason of defects in material or workmanship. The sole responsibility of ADJ Products, LLC under this warranty shall be limited to the repair of the product, or replacement thereof, including parts, at the sole discretion of ADJ Products, LLC. All products covered by this warranty were manufactured after August 15, 2012, and bear identifying marks to that effect.
- E. ADJ Products, LLC reserves the right to make changes in design and/or improvements upon its products without any obligation to include these changes in any products theretofore manufactured.
- F. No warranty, whether expressed or implied, is given or made with respect to any accessory supplied with products described above. Except to the extent prohibited by applicable law, all implied warranties made by ADJ Products, LLC in connection with this product, including warranties of merchantability or fitness, are limited in duration to the warranty period set forth above. And no warranties, whether expressed or implied, including warranties of merchantability or fitness, shall apply to this product after said period has expired. The consumer's and/or Dealer's sole remedy shall be such repair or replacement as is expressly provided above; and under no circumstances shall ADJ Products, LLC be liable for any loss or damage, direct or consequential, arising out of the use of, or inability to use, this product.
- G. This warranty is the only written warranty applicable to ADJ Products, LLC Products and supersedes all prior warranties and written descriptions of warranty terms and conditions heretofore published.

LIMITED WARRANTY PERIODS

- **Non L.E.D. Lighting Products = 1-year (365 days) Limited Warranty** (Such as: Special Effect Lighting, Intelligent Lighting, UV lighting, Strobes, Fog Machines, Bubble Machines, Mirror Balls, Par Cans, Trussing, Lighting Stands etc. excluding LED and lamps)
- **Laser Products = 1 Year (365 Days) Limited Warranty** (excludes laser diodes which have 6 month limited warranty)
- **L.E.D. Products = 2-year (730 days) Limited Warranty** (excluding batteries which have a 180 day limited warranty)
Note: 2 Year Warranty only applies to purchases within the United States.
- **StarTec Series = 1 Year Limited Warranty** (excluding batteries which have a 180 day limited warranty)
- **ADJ DMX Controllers = 2 Year (730 Days) Limited Warranty**

SAFETY GUIDELINES

For Your Own Personal Safety, Please Read and Understand This Manual Completely Before You Attempt To Install Or Operate This Unit!

- Be sure to save the packing carton in the unlikely event the device has to be returned for service.
- Do not spill water or other liquids into or on to the device.
- Be sure that the voltage of the power source matches the required voltage for the fixture(s) that you are running in conjunction with this device.
- Do not open up the device for any reason. There are no user serviceable parts inside.
- Never connect this device to a dimmer pack.
- Do not attempt to operate this device if it has been damaged in any way.
- Never operate this device with the cover removed.
- To reduce the risk of electrical shock or fire, do not expose this device to rain or moisture.
- Do not attempt to operate this device if the power cord has been frayed or broken.
- Do not attempt to remove or break off the ground prong from the electrical cord. This prong is used to reduce the risk of electrical shock and fire in the event of an internal short.
- Disconnect from main power before making any type of connection.
- This device is intended for indoor use only. Use of these devices outdoors voids all warranties.
- Always mount this unit in a safe and stable matter.
- Please route your power cord out of the way of foot traffic. Power cords should be routed so they are not likely to be walked on, or pinched by items placed upon or against them

Maximum ambient operational temperature is 104°F (40° C). It is important to also consider the ambient temperature restrictions of the fixture(s) that you are using in conjunction with this device. Do not operate when ambient temperature falls outside the acceptable range of this device or any fixtures that are being used in conjunction with this device!

Keep flammable materials away from this device and any fixture(s) that the device may be connected to!

The device should be serviced by qualified service personnel when:

- A. The power-supply cord or the plug has been damaged.
- B. Objects have fallen on, or liquid has been spilled into, the device.
- C. The devices have been exposed to rain or water.
- D. The appliance does not appear to operate normally or exhibits a marked change in performance.

SAFETY GUIDELINES

This fixture is a sophisticated piece of electronic equipment. To guarantee smooth operation, it is important to follow all instructions and guidelines in this manual. ADJ Products, LLC is not responsible for injury and/or damages resulting from the misuse of this fixture due to the disregard of the information printed in this manual. Only qualified and/or certified personnel should perform installation of this fixture, and only the original rigging parts included with this fixture should be used for installation. Any modifications to the fixture and/or the included mounting hardware will void the original manufacturer's warranty and increase the risk of damage and/or personal injury



PROTECTION CLASS 1 - FIXTURE MUST BE PROPERLY GROUNDED

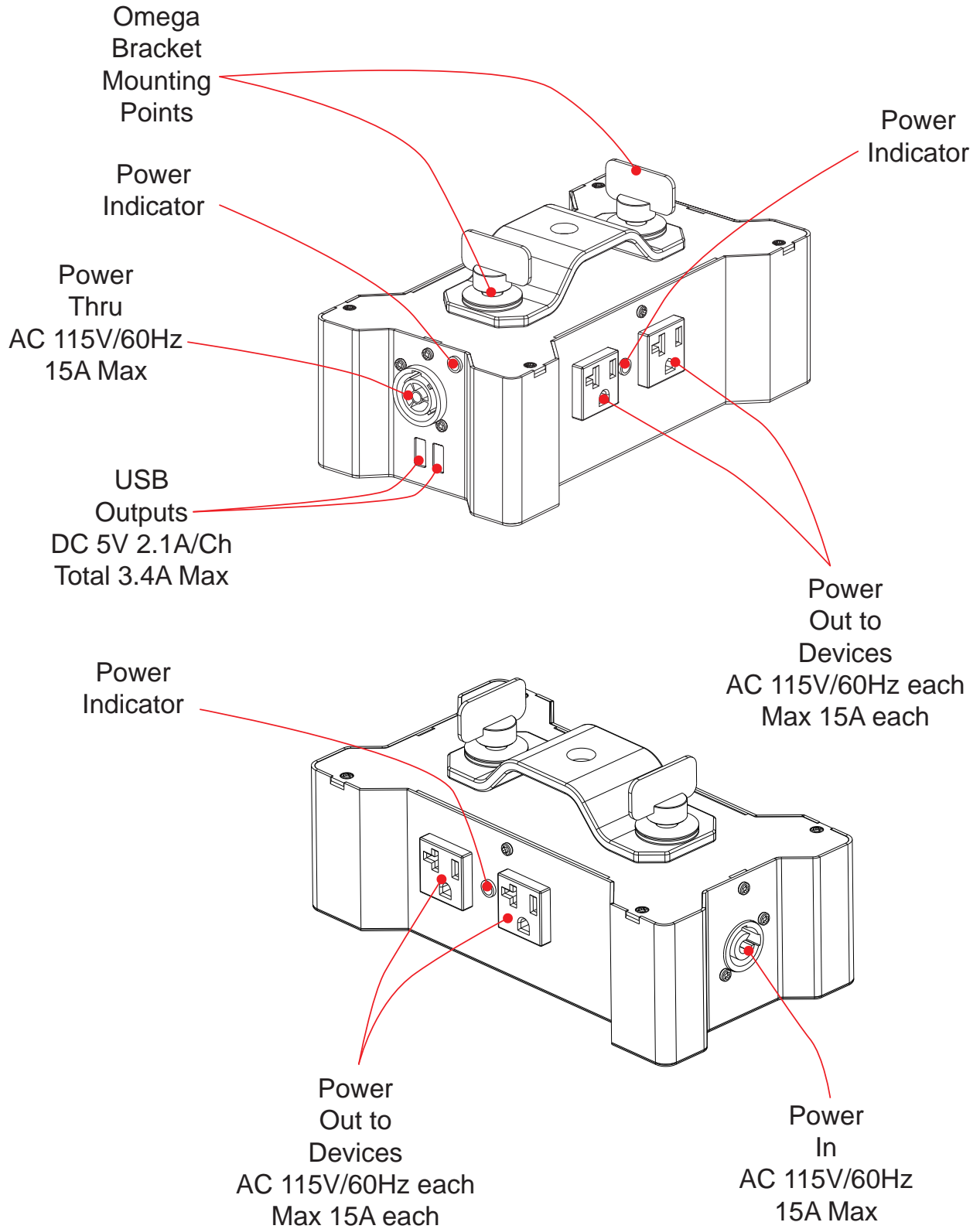


THERE ARE NO USER SERVICEABLE PARTS INSIDE THIS UNIT. DO NOT ATTEMPT ANY REPAIRS YOURSELF; DOING SO WILL VOID YOUR MANUFACTURER'S WARRANTY. DAMAGES RESULTING FROM MODIFICATIONS TO THIS FIXTURE AND/OR THE DISREGARD OF SAFETY INSTRUCTIONS AND GUIDELINES IN THIS MANUAL VOID THE MANUFACTURER'S WARRANTY AND ARE NOT SUBJECT TO ANY WARRANTY CLAIMS AND/OR REPAIRS.



**DO NOT PLUG DEVICE INTO A DIMMER PACK!
NEVER OPEN THIS DEVICE WHILE IN USE!
UNPLUG POWER BEFORE SERVICING DEVICE!
NEVER TOUCH DEVICE DURING OPERATION, AS IT MAY BE HOT!
KEEP FLAMMABLE MATERIALS AWAY FROM DEVICEE!**

OVERVIEW



INSTALLATION

FLAMMABLE MATERIAL WARNING!

Keep device a minimum of 5.0 feet (1.5m) away from flammable material and/or pyrotechnics.

ELECTRICAL CONNECTIONS

A qualified electrician should be used for all electrical connections and/or installations.

DO NOT INSTALL THE DEVICE IF YOU ARE NOT QUALIFIED TO DO SO!

The unit **MUST** be installed following all local, national, and country commercial electrical and construction codes and regulations.

Before installing or mounting any device, a professional equipment installer **MUST** be consulted to determine whether the mounting structure or surface is properly certified to safely support the combined weight of the fixture, clamps, cables, and accessories.

Maximum ambient operating temperature range is **104 degrees F (40 degrees C)**. Do not operate the device if ambient temperature exceeds this limit.

This fixture should be installed away from walking paths, seating areas, and areas within reach of the general public.

NEVER stand directly below the fixture when rigging, removing, or servicing.

Allow approximately 15 minutes for the fixture to cool down before servicing.

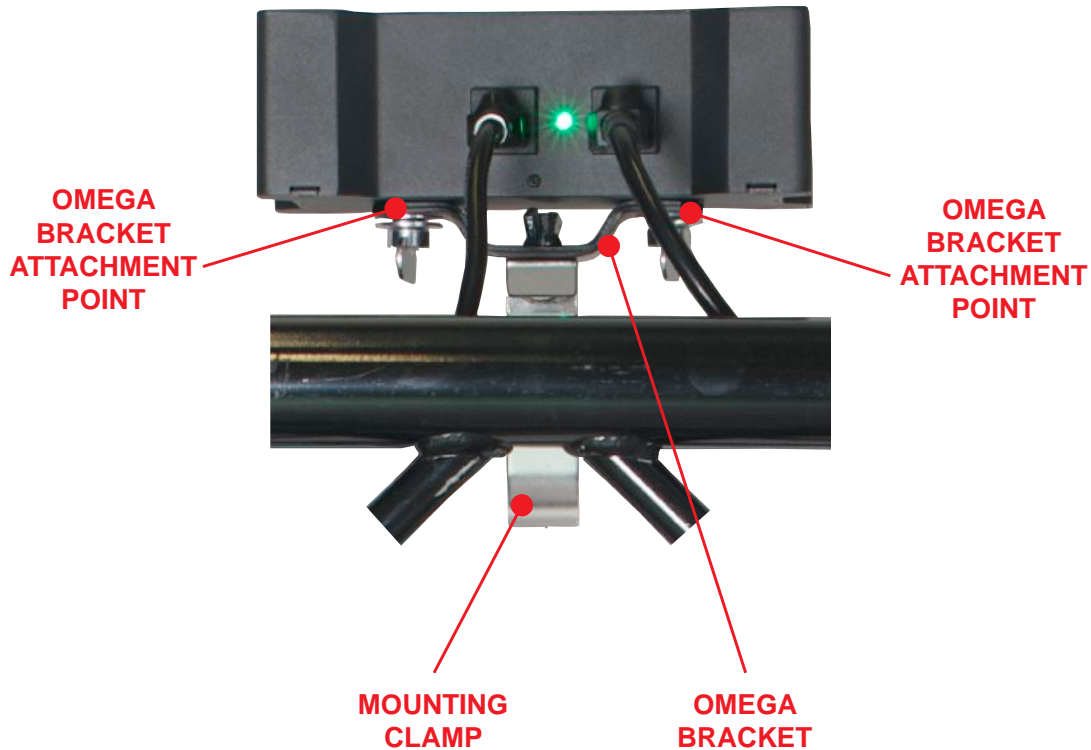
INSTALLATION

OMEGA BRACKET INSTALLATION

Insert the Omega Bracket into the matching holes on the top of the device. Secure the Omega Bracket to the device by turning each quick-lock fastener $\frac{1}{4}$ turn clockwise. Always check to make sure that each fastener is completely locked.

CLAMP INSTALLATION

When mounting the device to a truss, be sure to secure an appropriately rated professional grade rigging clamp to the included Omega Brackets using an M10 screw fitted through the center hole of the Omega Brackets.



RIGGING

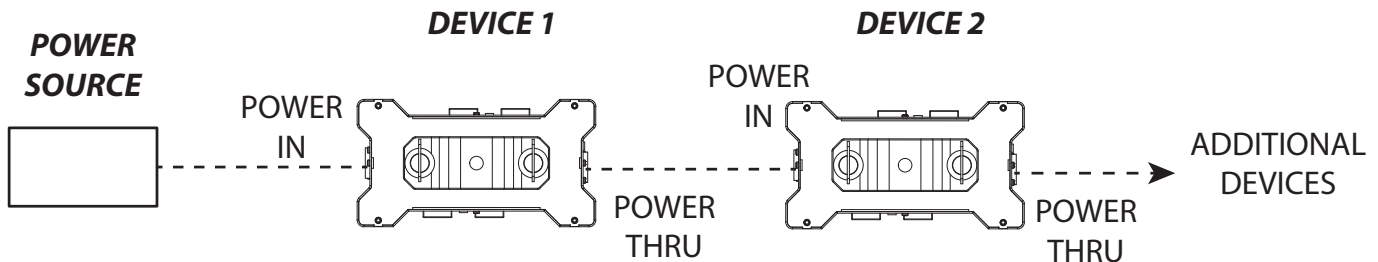
Overhead rigging requires extensive experience, including but not limited to: calculating working load limits, understanding the installation material being used, and periodic safety inspection of all installation material and the fixture itself. If you lack these qualifications, do not attempt to perform the installation yourself. Improper installation can result in bodily injury.

INSTALLATION

CONNECTIONS

- Up to four (4) devices may be connected to each Power Bone device using the Seetronic outlets located on either side of the Power Bone device.
- Two (2) USB outlets located on the “Power Thru” end of the Power Bone can be used to charge or operate low-power devices.
- When the Power Bone is connected to the power source, the LEDs on the sides will illuminate to indicate that the device is receiving power.
- If desired, multiple Power Bone devices can be linked together by using the “Power In” and “Power Thru” ports located on the ends of each Power Bone device. Please note that the “Power Thru” port is located on the end with the USB ports, while the “Power In” port is located by itself on the other end.
- Use caution when linking multiple Power Bone units. The number of Power Bone units that can be safely linked is dependent upon the individual power requirements of each device that is connected to the Power Bone unit(s). Up to 15A maximum can be connected on a single daisy chain of Power Bone units.

A QUALIFIED ELECTRICIAN SHOULD BE USED FOR ALL ELECTRICAL CONNECTIONS AND/OR INSTALLATIONS. DO NOT INSTALL THE DEVICE IF YOU ARE NOT QUALIFIED TO DO SO!



CLEANING & MAINTENANCE

WARNING! DISCONNECT UNIT FROM POWER BEFORE PERFORMING ANY CLEANING OR MAINTENANCE PROCEDURES!

ALWAYS ALLOW THE FIXTURE TO COOL FOR AT LEAST 15 MINUTES BEFORE PERFORMING ANY CLEANING OR MAINTENANCE!

CLEANING

Frequent cleaning is recommended to ensure proper function and an extended life. The frequency of cleaning depends on the environment in which the device operates: damp, smoky, or particularly dirty environments can cause greater accumulation of dirt on the device's surfaces. Clean periodically with a soft cloth to avoid dirt/debris accumulation.

NEVER use alcohol, solvents, or ammonia-based cleaners.

MAINTENANCE

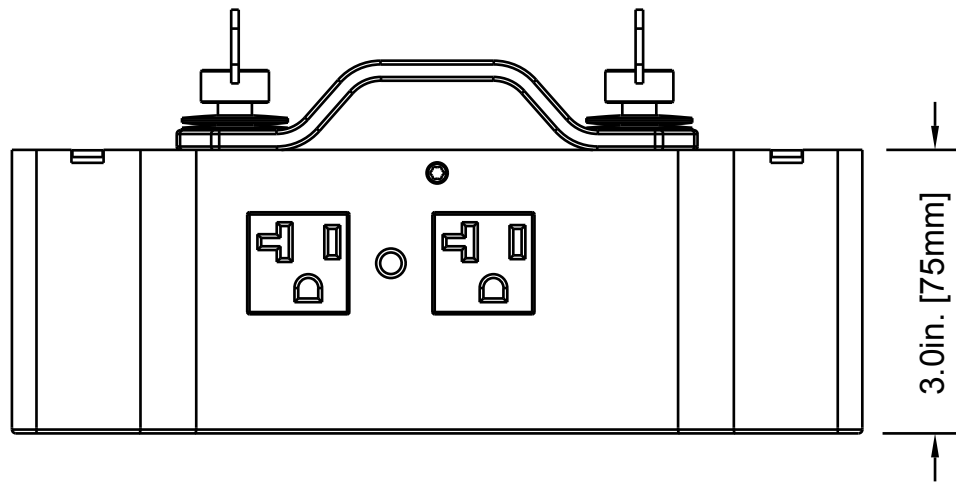
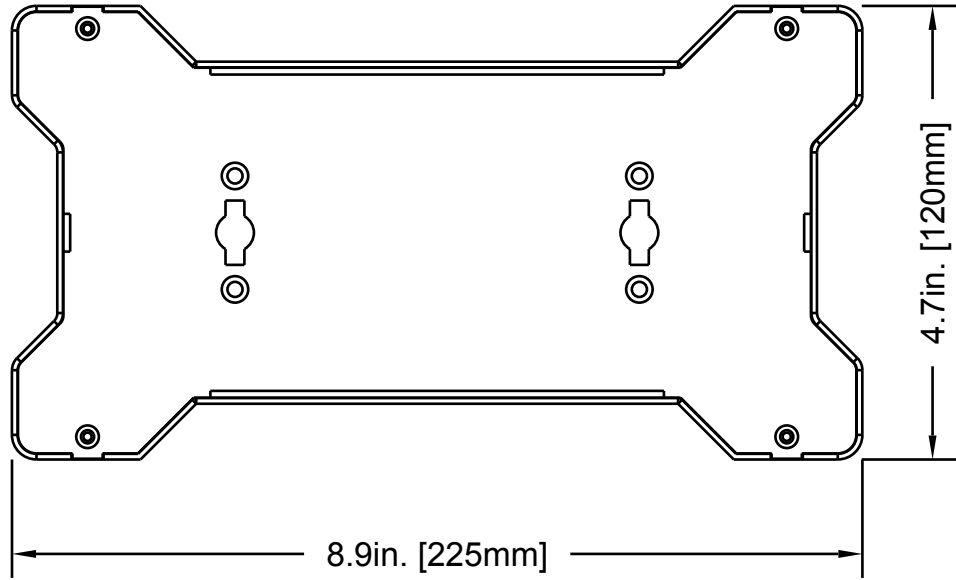
Regular inspections are recommended to ensure proper function and extended life. There are no user serviceable parts inside this fixture. Please refer all other service issues to an authorized ADJ service technician. Should you need any spare parts, please order genuine parts from an authorized ADJ dealer.

Please refer to the following points during routine inspections:

- A detailed electrical check by an approved electrical engineer every three months, to make sure the circuit contacts are in good condition and prevent overheating.
- Be sure all screws and fasteners are securely tightened at all times. Loose screws may fall out during normal operation, resulting in damage or injury as larger parts could fall.
- Check for any deformations on the housing, rigging hardware and rigging points (ceiling, suspension, trussing). Deformations in the housing could allow for dust to enter into the fixture. Damaged rigging points or unsecured rigging could cause the fixture to fall and seriously injure a person(s).
- Electric power supply cables must not show any damage, material fatigue or sediments.

DIMENSIONAL DRAWINGS

Dimensions not to scale



SPECIFICATIONS

FEATURES:

- Seetronic, IP65 Locking Power input and thru connections
- 4x Indoor Edison output sockets
- Output DC5V 2.1A / Ch, Total 3.4A Max
- IP20 rated for dry location use only
- Power indicator LEDs for input & outputs

ELECTRICAL:

- Power Input: 120VAC ~ 60Hz
- Maximum daisy chain current draw: 15A

APPROVALS:

- cETLus (Control # 5014475), FCC, CE



Intertek
5014475



DIMENSIONS / WEIGHT:

- Dimensions (LxWXH): 8.85" x 4.72" x 2.95" / 225x120x75mm
- Weight: 3.96 lbs. / 1.8 kg.

INCLUDED ACCESSORIES:

- Quick Release, locking omega bracket
- 6ft., 12 gauge, IP65 Locking Power Connector to Edison cable

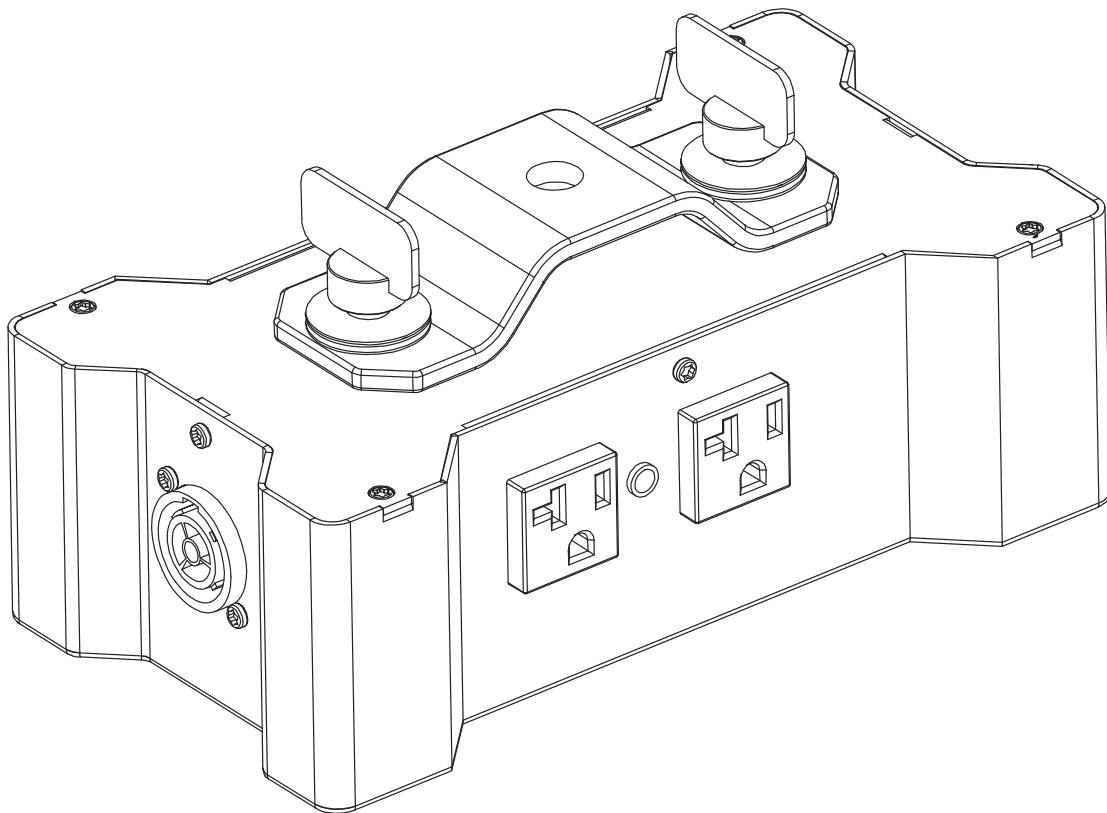
Specifications are subject to change without notice.



FCC STATEMENT

Please note that changes or modifications to this product that are not expressly approved by the party responsible for compliance could void the user's authority to operate the equipment.

NOTE: This equipment has been tested and found to comply with the limits for a Class A digital device, pursuant to part 15 of the FCC Rules. These limits are designed to provide reasonable protection against harmful interference when the equipment is operated in a commercial environment. This equipment generates, uses, and can radiate radio frequency energy and, if not installed and used in accordance with the instruction manual, may cause harmful interference to radio communications. Operation of this equipment in a residential area is likely to cause harmful interference in which case the user will be required to correct the interference at his own expense.



POWER BONE T1T1

Manuel de l'Utilisateur

©2025 ADJ Products, LLC tous droits réservés. Les informations, spécifications, diagrammes, images et instructions contenus ici sont sujets à changement sans préavis. Le logo Accu Cable et les noms et numéros de produits identifiants ici sont des marques déposées de ADJ Products, LLC. La protection par droit d'auteur revendiquée inclut toutes les formes et matières de matériaux et informations protégeables par le droit d'auteur maintenant permis par la loi statutaire ou judiciaire ou accordé ultérieurement. Les noms de produits utilisés dans ce document peuvent être des marques déposées ou des marques enregistrées de leurs compagnies respectives et sont par la présente reconnus. Toutes les marques et noms de produits non-ADJ Products, LLC sont des marques déposées ou des marques enregistrées de leurs compagnies respectives.

ADJ Products, LLC et toutes les compagnies affiliées déclinent par la présente toute responsabilité pour les dommages à la propriété, à l'équipement, au bâtiment, et électriques, les blessures à toute personne, et les pertes économiques directes ou indirectes associées à l'utilisation ou à la dépendance de toute information contenue dans ce document, et/ou résultant d'un assemblage, d'une installation, d'un gréement et d'une opération inappropriés, dangereux, insuffisants et négligents de ce produit.

Avis Européen sur l'Économie d'Énergie

Questions d'Économie d'Énergie (EuP 2009/125/CE)

Économiser l'énergie électrique est une clé pour aider à protéger l'environnement. Veuillez éteindre tous les produits électriques lorsqu'ils ne sont pas utilisés. Pour éviter la consommation d'énergie en mode veille, déconnectez tous les équipements électriques de l'alimentation lorsqu'ils ne sont pas utilisés. Merci !

VERSION DU DOCUMENT

En raison de fonctionnalités supplémentaires et/ou d'améliorations du produit, une version mise à jour de ce document peut être disponible en ligne.

Veuillez consulter www.adj.com pour la dernière révision/mise à jour de ce manuel avant de commencer l'installation et/ou la programmation.

Date	Version du document	Version du logiciel	Chaînes DMX	Remarques
02/20/2023	1	N/A	N'est pas applicable	Version initiale
06/07/2023	1.1	N/C	N'est pas applicable	Mise à jour : caractéristiques, dessins dimensionnels
04/25/2024	1.2	N/C	N'est pas applicable	Mise à jour : fonctionnalités clés, aperçu, caractéristiques ; ajout de la déclaration FCC
05/07/2024	1.3	N/C	N'est pas applicable	Mise à jour : Déclaration FCC
04/03/2025	1.4	N/C	N'est pas applicable	Updated Dimension Drawings

TABLEAU DES MATIÈRES

Informations générales	4
Principales caractéristiques Retours de garantie	5
Garantie limitée (États-Unis uniquement)	6
Consignes de sécurité	7
Aperçu	9
Installation	10
Nettoyage & entretien	13
Dessins dimensionnels	14
Caractéristiques	15

GENERAL INFORMATION

INTRODUCTION

Veillez lire et comprendre attentivement et complètement les instructions de ce manuel avant d'essayer d'utiliser cet appareil. Ces instructions contiennent des informations importantes sur la sécurité et l'utilisation. **Ce produit est destiné à être utilisé uniquement par du personnel formé professionnellement et n'est pas adapté à un usage privé.**

DÉBALLAGE

Chaque appareil a été minutieusement testé et expédié en parfait état de fonctionnement. Vérifiez soigneusement le carton d'expédition pour détecter tout dommage survenu pendant le transport. Si le carton est endommagé, inspectez l'appareil avec soin pour repérer tout dommage et assurez-vous que tous les accessoires nécessaires pour installer et faire fonctionner l'appareil sont arrivés intacts. En cas de dommage constaté ou de pièces manquantes, veuillez contacter notre équipe de support client pour plus d'instructions. Ne renvoyez pas cet appareil à votre revendeur sans avoir d'abord contacté le support client. Ne jetez pas le carton d'expédition à la poubelle. Recyclez-le dès que possible.

ÉLÉMENTS INCLUS

Support Omega (x1)

Câble d'Alimentation (x1)

SUPPORT CLIENT

Contactez le Service ADJ pour tout besoin de service ou de support lié au produit.

Visitez également forums.adj.com avec vos questions, commentaires ou suggestions.

SERVICE ADJ USA - Lundi - Vendredi 8h00 à 16h30 PST

323-582-2650 | support@adj.com

SERVICE ADJ EUROPE - Lundi - Vendredi 08h30 à 17h00 CET

+31 45 546 85 60 | support@adj.eu

PIÈCES DE RECHANGE veuillez visiter parts.adj.com

Avertissement : Pour réduire le risque de choc ou d'incendie, n'exposez pas cet appareil à la pluie ou à l'humidité !

Avertissement : Il n'y a pas de pièces réparables par l'utilisateur à l'intérieur de cet appareil. N'essayez pas d'effectuer des réparations vous-même, car cela annulera votre garantie constructeur. Les dommages résultant de modifications à cet appareil et/ou du non-respect des instructions et directives de sécurité dans ce manuel annulent la garantie constructeur et ne sont pas soumis à des réclamations ou réparations sous garantie.

CARACTÉRISTIQUES PRINCIPALES

- Capacité de liaison en guirlande pour amener l'alimentation là où vous en avez besoin
- Connexion d'entrée verrouillable pour alimentation extérieure pour fournir l'alimentation principale
- Connexion traversante verrouillable pour alimentation extérieure pour relier à d'autres Power Bones
- 4x sorties verrouillables pour alimentation extérieure pour connecter à l'équipement ciblé
- Sortie DC5V 2,1A / Canal, 3,4A Max
- Indicateur d'alimentation LED
- Support Omega pour montage sur pince / structure

RETOURS SOUS GARANTIE

Tous les articles de service retournés, qu'ils soient sous garantie ou non, doivent être expédiés avec les frais de transport prépayés et accompagnés d'un numéro d'autorisation de retour (R.A.). Le numéro R.A. doit être clairement inscrit à l'extérieur de l'emballage de retour. Une brève description du problème ainsi que le numéro R.A. doivent également être notés sur une feuille de papier incluse dans le carton d'expédition. Si l'unité est sous garantie, vous devez fournir une copie de votre facture comme preuve d'achat. Vous pouvez obtenir un numéro R.A. en contactant notre équipe de support client. Tous les colis retournés au service technique sans un numéro R.A. affiché à l'extérieur de l'emballage seront renvoyés à l'expéditeur.

GARANTIE LIMITÉE (USA UNIQUEMENT)

- A. ADJ Products, LLC garantit par la présente, à l'acheteur original, que les produits ADJ Products, LLC sont exempts de défauts de fabrication dans les matériaux et la main-d'œuvre pendant une période prescrite à partir de la date d'achat (voir la période de garantie spécifique au verso). Cette garantie ne sera valide que si le produit est acheté aux États-Unis d'Amérique, y compris ses possessions et territoires. Il incombe au propriétaire d'établir la date et le lieu d'achat par des preuves acceptables, au moment où le service est requis.
- B. Pour le service sous garantie, vous devez obtenir un numéro d'Autorisation de Retour (RA#) avant de renvoyer le produit - veuillez contacter le Service ADJ Products, LLC au 800-322-6337. Envoyez le produit uniquement à l'usine ADJ Products, LLC. Tous les frais d'expédition doivent être prépayés. Si les réparations ou le service demandés (y compris le remplacement de pièces) sont dans les termes de cette garantie, ADJ Products, LLC paiera les frais d'expédition de retour uniquement vers un point désigné aux États-Unis. Si l'instrument entier est envoyé, il doit être expédié dans son emballage d'origine. Aucun accessoire ne doit être expédié avec le produit. Si des accessoires sont expédiés avec le produit, ADJ Products, LLC n'aura aucune responsabilité pour la perte ou les dommages à ces accessoires, ni pour leur retour sécurisé.
- C. Cette garantie est annulée si le numéro de série a été altéré ou retiré ; si le produit est modifié de quelque manière que ADJ Products, LLC conclut, après inspection, affecte la fiabilité du produit ; si le produit a été réparé ou entretenu par quelqu'un d'autre que l'usine ADJ Products, LLC sauf si une autorisation écrite préalable a été délivrée à l'acheteur par ADJ Products, LLC ; si le produit est endommagé parce qu'il n'a pas été correctement entretenu comme indiqué dans le manuel d'instructions.
- D. Ceci n'est pas un contrat de service, et cette garantie n'inclut pas l'entretien, le nettoyage ou les vérifications périodiques. Pendant la période spécifiée ci-dessus, ADJ Products, LLC remplacera les pièces défectueuses à ses frais avec des pièces neuves ou reconditionnées, et prendra en charge toutes les dépenses pour le service sous garantie et la main-d'œuvre de réparation en raison de défauts dans les matériaux ou la fabrication. La seule responsabilité de ADJ Products, LLC sous cette garantie sera limitée à la réparation du produit, ou à son remplacement, y compris les pièces, à la seule discrétion de ADJ Products, LLC. Tous les produits couverts par cette garantie ont été fabriqués après le 15 août 2012, et portent des marques d'identification à cet effet.
- E. ADJ Products, LLC se réserve le droit d'apporter des changements dans la conception et/ou des améliorations à ses produits sans obligation d'inclure ces changements dans les produits fabriqués précédemment.
- F. Aucune garantie, qu'elle soit exprimée ou implicite, n'est donnée ou faite concernant les accessoires fournis avec les produits décrits ci-dessus. Sauf dans la mesure où la loi applicable l'interdit, toutes les garanties implicites faites par ADJ Products, LLC en lien avec ce produit, y compris les garanties de commerciabilité ou d'aptitude, sont limitées en durée à la période de garantie indiquée ci-dessus. Et aucune garantie, qu'elle soit exprimée ou implicite, y compris les garanties de commerciabilité ou d'aptitude, ne s'appliquera à ce produit après l'expiration de ladite période. Le seul recours du consommateur et/ou du revendeur sera la réparation ou le remplacement tel qu'explicitement prévu ci-dessus ; et en aucune circonstance ADJ Products, LLC ne sera tenu responsable de toute perte ou dommage, direct ou consécutif, découlant de l'utilisation ou de l'incapacité d'utiliser ce produit.
- G. Cette garantie est la seule garantie écrite applicable aux produits ADJ Products, LLC et remplace toutes les garanties antérieures et descriptions écrites des termes et conditions de garantie publiées précédemment.

PÉRIODES DE GARANTIE LIMITÉE

- **Produits d'Éclairage Non L.E.D. = Garantie Limitée de 1 an (365 jours)** (Tels que : Éclairage à Effets Spéciaux, Éclairage Intelligent, éclairage UV, Stroboscopes, Machines à Brouillard, Machines à Bulles, Boules à Facettes, Par Cans, Structures, Supports d'Éclairage, etc. excluant LED et lampes)
- **Produits Laser = Garantie Limitée de 1 An (365 Jours)** (exclut les diodes laser qui ont une garantie limitée de 6 mois)
- **Produits L.E.D. = Garantie Limitée de 2 ans (730 jours)** (excluant les batteries qui ont une garantie limitée de 180 jours) Note : La Garantie de 2 Ans s'applique uniquement aux achats effectués aux États-Unis.
- **Série StarTec = Garantie Limitée de 1 An** (excluant les batteries qui ont une garantie limitée de 180 jours)
- **Contrôleurs DMX ADJ = Garantie Limitée de 2 Ans (730 Jours)**

DIRECTIVES DE SÉCURITÉ

Pour Votre Propre Sécurité Personnelle, Veuillez Lire et Comprendre Ce Manuel Complètement Avant d'Essayer d'Installer ou d'Utiliser Cet Appareil !

- Assurez-vous de conserver le carton d'emballage dans le cas improbable où l'appareil devrait être retourné pour un service.
- Ne renversez pas d'eau ou d'autres liquides dans ou sur l'appareil.
- Assurez-vous que la tension de la source d'alimentation correspond à la tension requise pour le(s) projecteur(s) que vous utilisez en conjonction avec cet appareil.
- N'ouvrez pas l'appareil pour quelque raison que ce soit. Il n'y a pas de pièces réparables par l'utilisateur à l'intérieur.
- Ne connectez jamais cet appareil à un pack de gradateurs.
- N'essayez pas d'utiliser cet appareil s'il a été endommagé de quelque manière que ce soit.
- N'utilisez jamais cet appareil avec le couvercle retiré.
- Pour réduire le risque de choc électrique ou d'incendie, n'exposez pas cet appareil à la pluie ou à l'humidité.
- N'essayez pas d'utiliser cet appareil si le cordon d'alimentation a été effiloché ou cassé.
- N'essayez pas de retirer ou de casser la broche de mise à la terre du cordon électrique. Cette broche est utilisée pour réduire le risque de choc électrique et d'incendie en cas de court-circuit interne.
- Déconnectez de l'alimentation principale avant de faire tout type de connexion.
- Cet appareil est destiné à une utilisation en intérieur uniquement. L'utilisation de ces appareils à l'extérieur annule toutes les garanties.
- Montez toujours cet appareil de manière sûre et stable.
- Veuillez acheminer votre cordon d'alimentation hors du passage du trafic piétonnier. Les cordons d'alimentation doivent être acheminés de manière à ne pas être piétinés ou pincés par des objets placés dessus ou contre eux.

La température ambiante maximale de fonctionnement est de 104°F (40°C). Il est important de prendre également en compte les restrictions de température ambiante du (des) projecteur(s) que vous utilisez en conjonction avec cet appareil. N'utilisez pas lorsque la température ambiante est en dehors de la plage acceptable de cet appareil ou de tout projecteur utilisé en conjonction avec cet appareil !

Gardez les matériaux inflammables loin de cet appareil et de tout projecteur auquel l'appareil peut être connecté !

L'appareil doit être entretenu par un personnel de service qualifié lorsque :

- A. Le cordon d'alimentation ou la fiche a été endommagé.
- B. Des objets sont tombés sur l'appareil, ou du liquide a été renversé dans l'appareil.
- C. Les appareils ont été exposés à la pluie ou à l'eau.
- D. L'appareil ne semble pas fonctionner normalement ou montre un changement marqué dans ses performances.

DIRECTIVES DE SÉCURITÉ

Ce projecteur est une pièce sophistiquée d'équipement électronique. Pour garantir un fonctionnement fluide, il est important de suivre toutes les instructions et directives de ce manuel. ADJ Products, LLC n'est pas responsable des blessures et/ou dommages résultant d'une mauvaise utilisation de ce projecteur due au non-respect des informations imprimées dans ce manuel. Seul le personnel qualifié et/ou certifié doit effectuer l'installation de ce projecteur, et seules les pièces de montage originales incluses avec ce projecteur doivent être utilisées pour l'installation. Toute modification au projecteur et/ou au matériel de montage inclus annulera la garantie originale du fabricant et augmentera le risque de dommages et/ou de blessures corporelles.



CLASSE DE PROTECTION 1 - LE PROJECTEUR DOIT ÊTRE CORRECTEMENT MIS À LA TERRE.



IL N'Y A PAS DE PIÈCES RÉPARABLES PAR L'UTILISATEUR À L'INTÉRIEUR DE CET APPAREIL.

N'ESSAYEZ PAS D'EFFECTUER DES RÉPARATIONS VOUS-MÊME ; CELA ANNULERA VOTRE GARANTIE DU FABRICANT. LES DOMMAGES RÉSULTANT DE MODIFICATIONS À CE PROJECTEUR ET/OU DU NON-RESPECT DES INSTRUCTIONS ET DIRECTIVES DE SÉCURITÉ DANS CE MANUEL ANNULENT LA GARANTIE DU FABRICANT ET NE SONT PAS SOUMIS À DES RÉCLAMATIONS OU RÉPARATIONS SOUS GARANTIE.



**NE BRANCHEZ PAS L'APPAREIL SUR UN PACK DE GRADATEURS !
N'OUVREZ JAMAIS CET APPAREIL PENDANT SON UTILISATION !
DÉBRANCHEZ L'ALIMENTATION AVANT D'ENTREtenir L'APPAREIL !
NE TOUCHEZ JAMAIS L'APPAREIL PENDANT SON FONCTIONNEMENT, CAR IL PEUT ÊTRE CHAUD !
GARDEZ LES MATÉRIAUX INFLAMMABLES À L'ÉCART DE L'APPAREIL !**

APERÇU

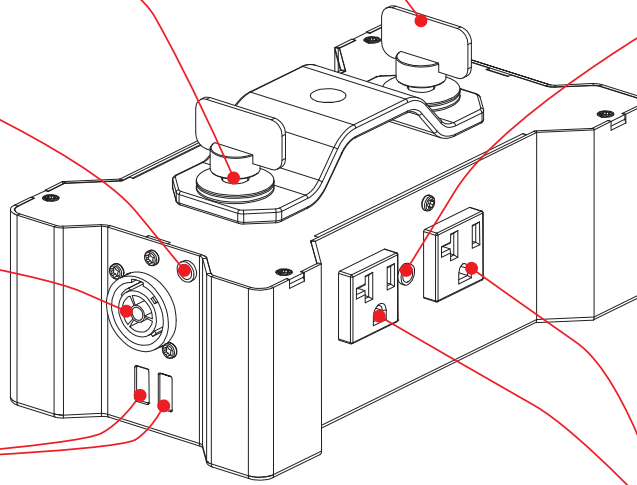
Points de montage
du support Omega

Indicateur
d'alimentation

Passage de
puissance
AC 115V/60Hz
15A Max

Sorties USB
DC 5V 2.1A/Ch
Total 3.4A Max

Indicateur
d'alimentation

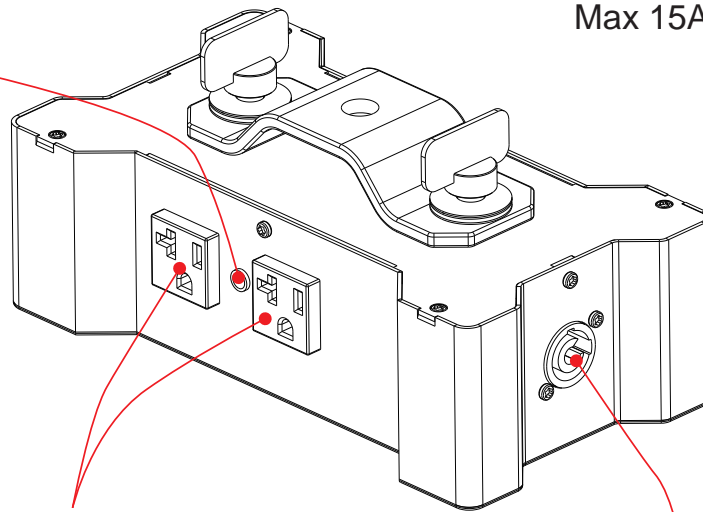


Sorties de puissance
vers les appareils
AC 115V/60Hz chacun
Max 15A chacun

Indicateur
d'alimentation

Sorties de puissance
vers les appareils
AC 115V/60Hz chacun
Max 15A chacun

Entrée de
puissance
AC 115V/60Hz
15A Max



INSTALLATION

AVERTISSEMENT SUR LES MATÉRIAUX INFLAMMABLES !

Gardez l'appareil à un minimum de 5,0 pieds (1,5 m) des matériaux inflammables et/ou pyrotechniques.

CONNEXIONS ÉLECTRIQUES

Un électricien qualifié doit être utilisé pour toutes les connexions électriques et/ou installations.

N'INSTALLEZ PAS L'APPAREIL SI VOUS N'ÊTES PAS QUALIFIÉ POUR LE FAIRE !

L'unité **DOIT** être installée en respectant tous les codes et règlements commerciaux locaux, nationaux et du pays en matière d'électricité et de construction.

Avant d'installer ou de monter un appareil, un installateur professionnel d'équipement **DOIT** être consulté pour déterminer si la structure ou la surface de montage est correctement certifiée pour supporter en toute sécurité le poids combiné du projecteur, des pinces, des câbles et des accessoires.

La plage maximale de température ambiante de fonctionnement est de **104 degrés F (40 degrés C)**. N'utilisez pas l'appareil si la température ambiante dépasse cette limite.

Ce projecteur doit être installé loin des chemins de marche, des zones de sièges et des zones à la portée du grand public.

JAMAIS ne vous tenez directement sous le projecteur lors du gréement, du retrait ou de l'entretien.

Laissez environ 15 minutes au projecteur pour qu'il refroidisse avant l'entretien.

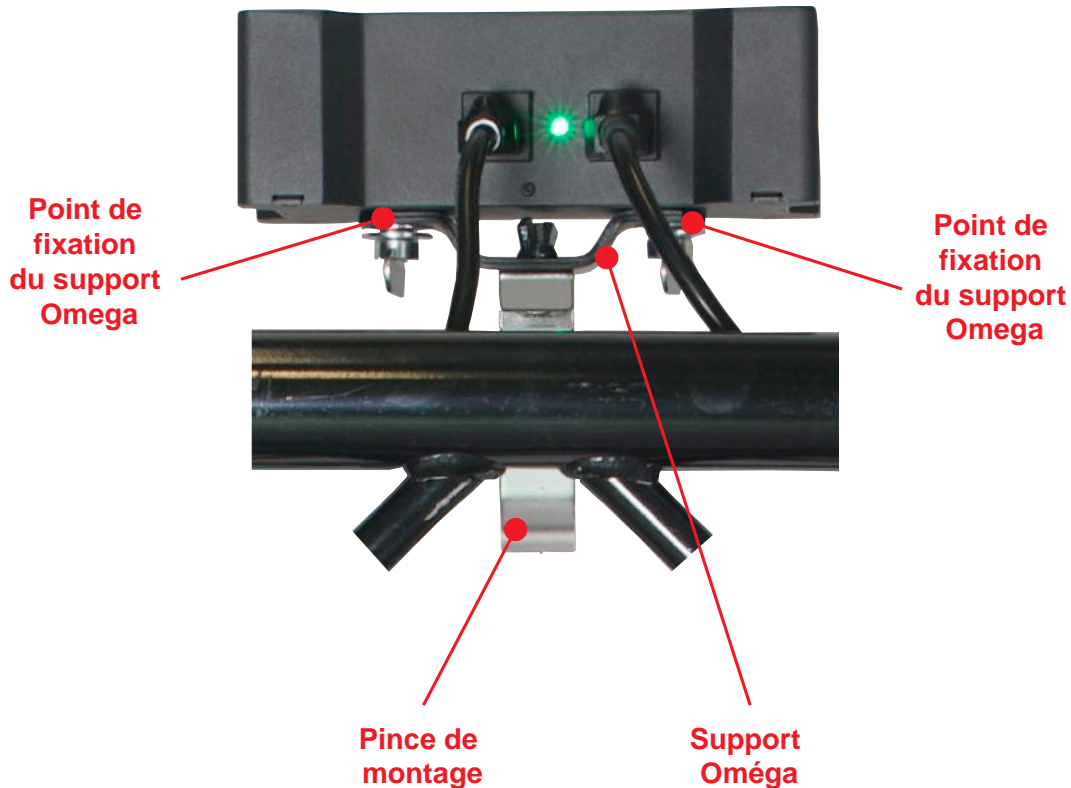
INSTALLATION

INSTALLATION DU SUPPORT OMEGA

Insérez le Support Omega dans les trous correspondants sur le dessus de l'appareil. Fixez le Support Omega à l'appareil en tournant chaque attache à verrouillage rapide d'un quart de tour dans le sens horaire. Vérifiez toujours que chaque attache est complètement verrouillée.

INSTALLATION DE LA PINCE

Lors du montage de l'appareil sur une structure, assurez-vous de fixer une pince de gréement professionnelle de calibre approprié aux Supports Omega inclus en utilisant une vis M10 insérée à travers le trou central des Supports Omega.



GRÉEMENT

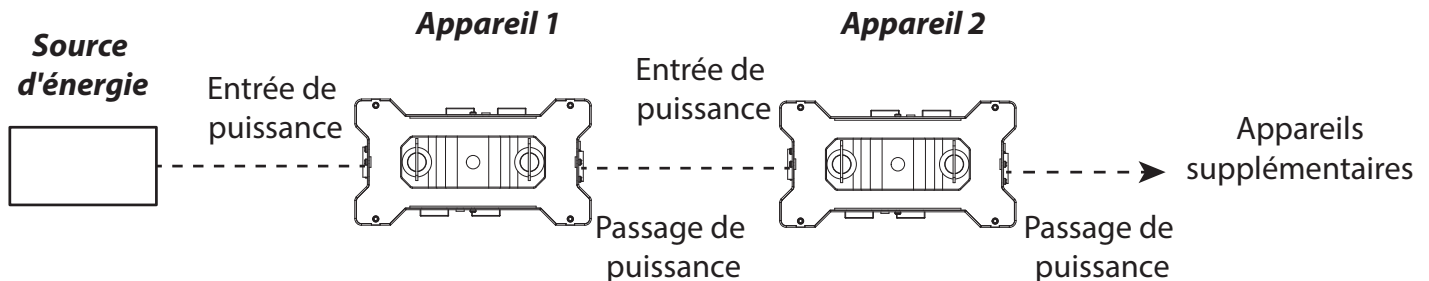
Le gréement en hauteur nécessite une expérience approfondie, y compris, mais sans s'y limiter : calculer les limites de charge de travail, comprendre le matériel d'installation utilisé, et effectuer une inspection périodique de sécurité de tout le matériel d'installation et du projecteur lui-même. Si vous ne possédez pas ces qualifications, n'essayez pas d'effectuer l'installation vous-même. Une installation incorrecte peut entraîner des blessures corporelles.

INSTALLATION

CONNEXIONS

- Jusqu'à quatre (4) appareils peuvent être connectés à chaque appareil Power Bone en utilisant les prises Seetronic situées de chaque côté de l'appareil Power Bone.
- Deux (2) prises USB situées à l'extrémité "Power Thru" du Power Bone peuvent être utilisées pour charger ou faire fonctionner des appareils de faible puissance.
- Lorsque le Power Bone est connecté à la source d'alimentation, les LEDs sur les côtés s'allumeront pour indiquer que l'appareil reçoit de l'alimentation.
- Si désiré, plusieurs appareils Power Bone peuvent être reliés ensemble en utilisant les ports "Power In" et "Power Thru" situés aux extrémités de chaque appareil Power Bone. Veuillez noter que le port "Power Thru" est situé à l'extrémité avec les ports USB, tandis que le port "Power In" est situé seul à l'autre extrémité.
- Faites preuve de prudence lors de la liaison de plusieurs unités Power Bone. Le nombre d'unités Power Bone qui peuvent être reliées en toute sécurité dépend des besoins individuels en alimentation de chaque appareil connecté à la (aux) unité(s) Power Bone. Jusqu'à 15A maximum peuvent être connectés sur une seule chaîne en guirlande d'unités Power Bone

UN ÉLECTRICIEN QUALIFIÉ DOIT ÊTRE UTILISÉ POUR TOUTES LES CONNEXIONS ÉLECTRIQUES ET/OU INSTALLATIONS. N'INSTALLEZ PAS L'APPAREIL SI VOUS N'ÊTES PAS QUALIFIÉ POUR LE FAIRE !



NETTOYAGE ET ENTRETIEN

AVERTISSEMENT ! DÉBRANCHEZ L'UNITÉ DE L'ALIMENTATION AVANT D'EFFECTUER TOUTE PROCÉDURE DE NETTOYAGE OU D'ENTRETIEN !

LAISSEZ TOUJOURS LE PROJECTEUR REFROIDIR PENDANT AU MOINS 15 MINUTES AVANT D'EFFECTUER TOUT NETTOYAGE OU ENTRETIEN !

NETTOYAGE

Un nettoyage fréquent est recommandé pour assurer un bon fonctionnement et une durée de vie prolongée. La fréquence de nettoyage dépend de l'environnement dans lequel l'appareil fonctionne : les environnements humides, enfumés ou particulièrement sales peuvent causer une plus grande accumulation de saleté sur les surfaces de l'appareil. Nettoyez périodiquement avec un chiffon doux pour éviter l'accumulation de saleté/débris.

JAMAIS n'utilisez d'alcool, de solvants ou de nettoyeurs à base d'ammoniac.

ENTRETIEN

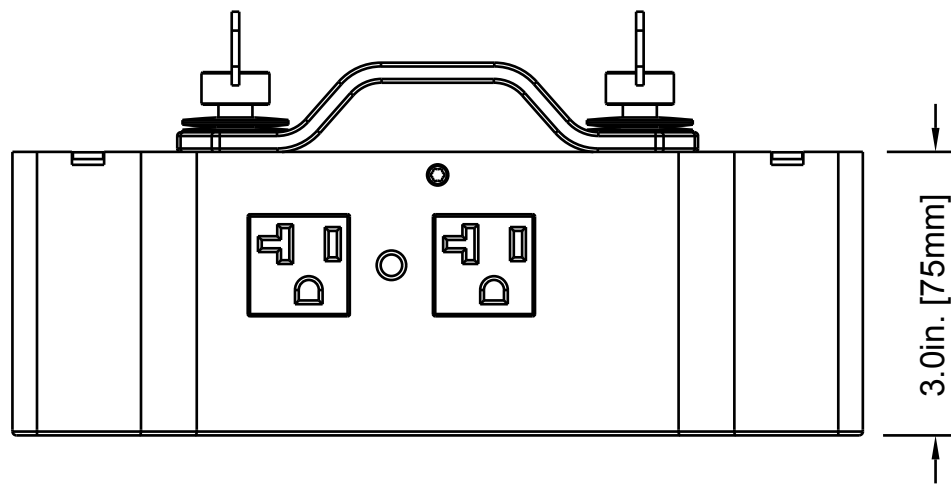
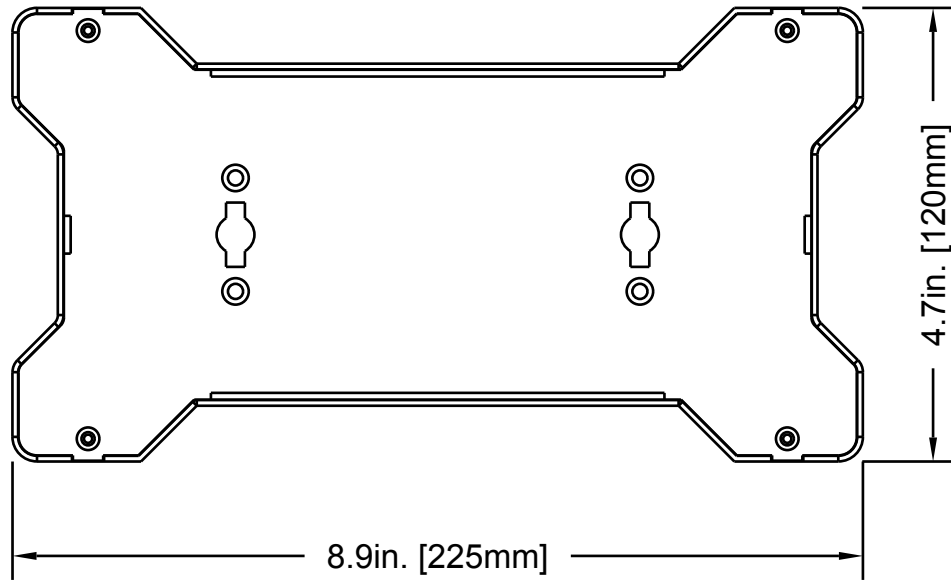
Des inspections régulières sont recommandées pour assurer un bon fonctionnement et une durée de vie prolongée. Il n'y a pas de pièces réparables par l'utilisateur à l'intérieur de ce projecteur. Veuillez référer tous les autres problèmes de service à un technicien de service ADJ autorisé. Si vous avez besoin de pièces de rechange, veuillez commander des pièces authentiques auprès d'un revendeur ADJ autorisé.

Veillez vous référer aux points suivants lors des inspections de routine :

- Une vérification électrique détaillée par un ingénieur électricien agréé tous les trois mois, pour s'assurer que les contacts du circuit sont en bon état et prévenir la surchauffe.
- Assurez-vous que toutes les vis et attaches sont solidement serrées en tout temps. Des vis desserrées peuvent tomber pendant le fonctionnement normal, entraînant des dommages ou des blessures car des pièces plus grandes pourraient chuter.
- Vérifiez s'il y a des déformations sur le boîtier, le matériel de gréement et les points de gréement (plafond, suspension, structure). Des déformations dans le boîtier pourraient permettre à la poussière de pénétrer dans le projecteur. Des points de gréement endommagés ou un gréement non sécurisé pourraient faire tomber le projecteur et blesser gravement une personne(s).
- Les câbles d'alimentation électrique ne doivent présenter aucun dommage, fatigue du matériau ou sédiments.

DESSINS DIMENSIONNELS

Dimensions pas à l'échelle



SPÉCIFICATIONS

CARACTÉRISTIQUES :

- Seetronic, Connexions d'entrée et traversantes IP65 Locking Power
- 4x prises de sortie Edison intérieures
- Sortie DC5V 2,1A / Canal, Total 3,4A Max
- Classé IP20 pour une utilisation en endroit sec uniquement
- LEDs indicateurs d'alimentation pour l'entrée et les sorties

ÉLECTRIQUE :

- Entrée d'Alimentation : 120VAC ~ 60Hz
- Courant maximal en guirlande : 15A

APPROBATIONS :

- cETLus (Contrôle # 5014475), FCC, CE



Intertek
5014475



DIMENSIONS / POIDS :

- Dimensions (LxLxH) : 8,85" x 4,72" x 2,95" / 225x120x75mm
- Poids : 3,96 lb / 1,8 kg

ACCESSOIRES INCLUS :

- Support omega à libération rapide et verrouillable
- Câble de 6 pieds, calibre 12, Connecteur Locking Power IP65 vers Edison

Specifications are subject to change without notice.



DÉCLARATION FCC

Veuillez noter que des changements ou modifications à ce produit qui ne sont pas expressément approuvés par la partie responsable de la conformité pourraient annuler l'autorité de l'utilisateur à faire fonctionner l'équipement.

NOTE: Cet équipement a été testé et jugé conforme aux limites pour un appareil numérique de Classe A, conformément à la partie 15 des Règles FCC. Ces limites sont conçues pour fournir une protection raisonnable contre les interférences nuisibles lorsque l'équipement est utilisé dans un environnement commercial. Cet équipement génère, utilise et peut émettre de l'énergie radiofréquence et, s'il n'est pas installé et utilisé conformément au manuel d'instructions, peut causer des interférences nuisibles aux communications radio. L'utilisation de cet équipement dans une zone résidentielle est susceptible de causer des interférences nuisibles, auquel cas l'utilisateur devra corriger les interférences à ses propres frais.

